

BOSCH VESIPUMPPU 12V

BOSCH

Application

Please contact us if the pumps are to be used for fluids other than water.

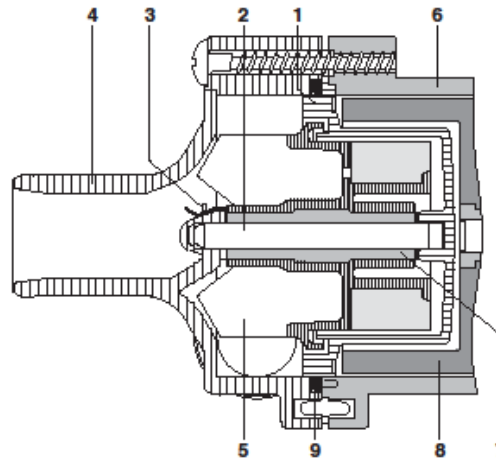
Type

Centrifugal pumps with magnetic coupling, no seal between motor and pump, therefore leak-free.

Note!

These water-circulating pumps are not self-priming.

1 Pump housing (polyetherimide with glass fibers). 2 Bearing pin (stainless steel). 3 Thrust ring (stainless steel). 4 Pump housing (polyamide 66, by choice polyetherimide with glass fiber). 5 Impeller (plasto-ferrite). 6 Pump housing (polyamide 6 with mineral fibers and short glass fibers). 7 Bearing bush (resin-bonded carbon). 8 Magnet (plasto-ferrite). 9 O-Ring (soft silicone rubber, by choice EPDM).



BOSCH

PAA

12 V

| | | |
|-----------------------|-------|---------------------------------------|
| Nominal voltage | U_N | 12 V |
| Delivery | V | 750 dm ³ · h ⁻¹ |
| Delivery pressure | p | 0.1 bar |
| Direction of rotation | | R |
| Type of duty | | S 1 |
| Degree of protection | | IP 5 K 4* |
| Weight | | approx. 0.4 kg |
| Part number | | 0 392 020 034 |

* Applies only with receptacle housing in place

