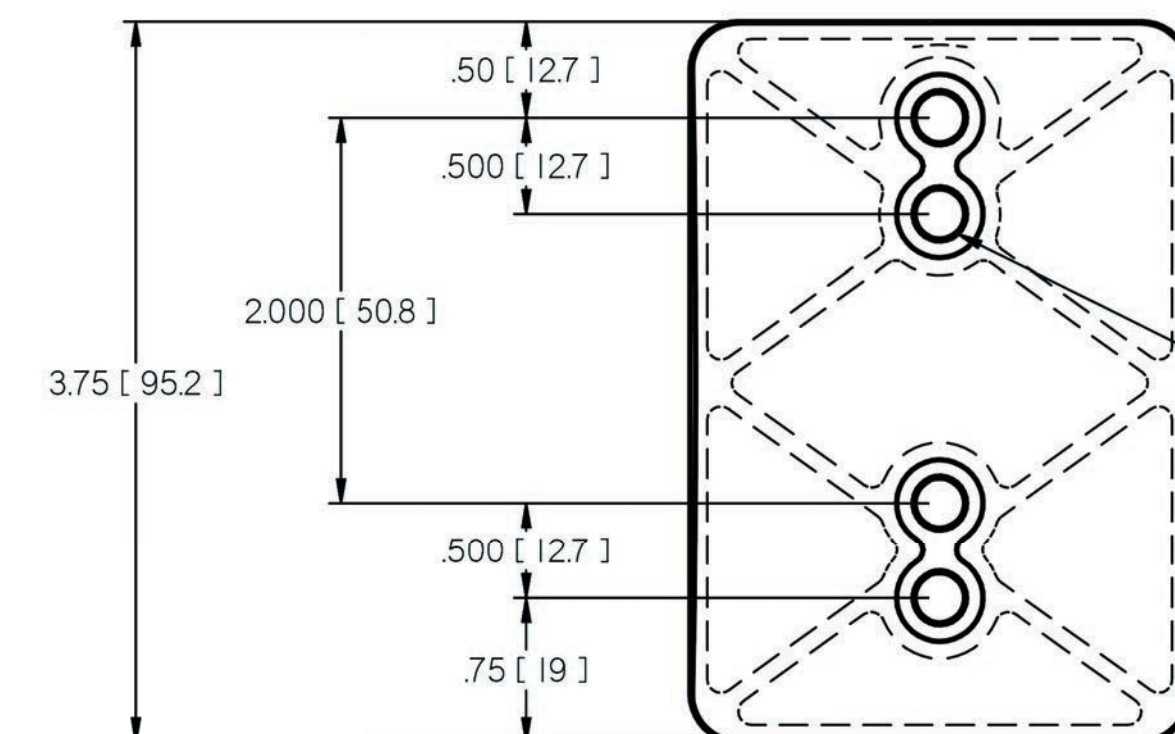
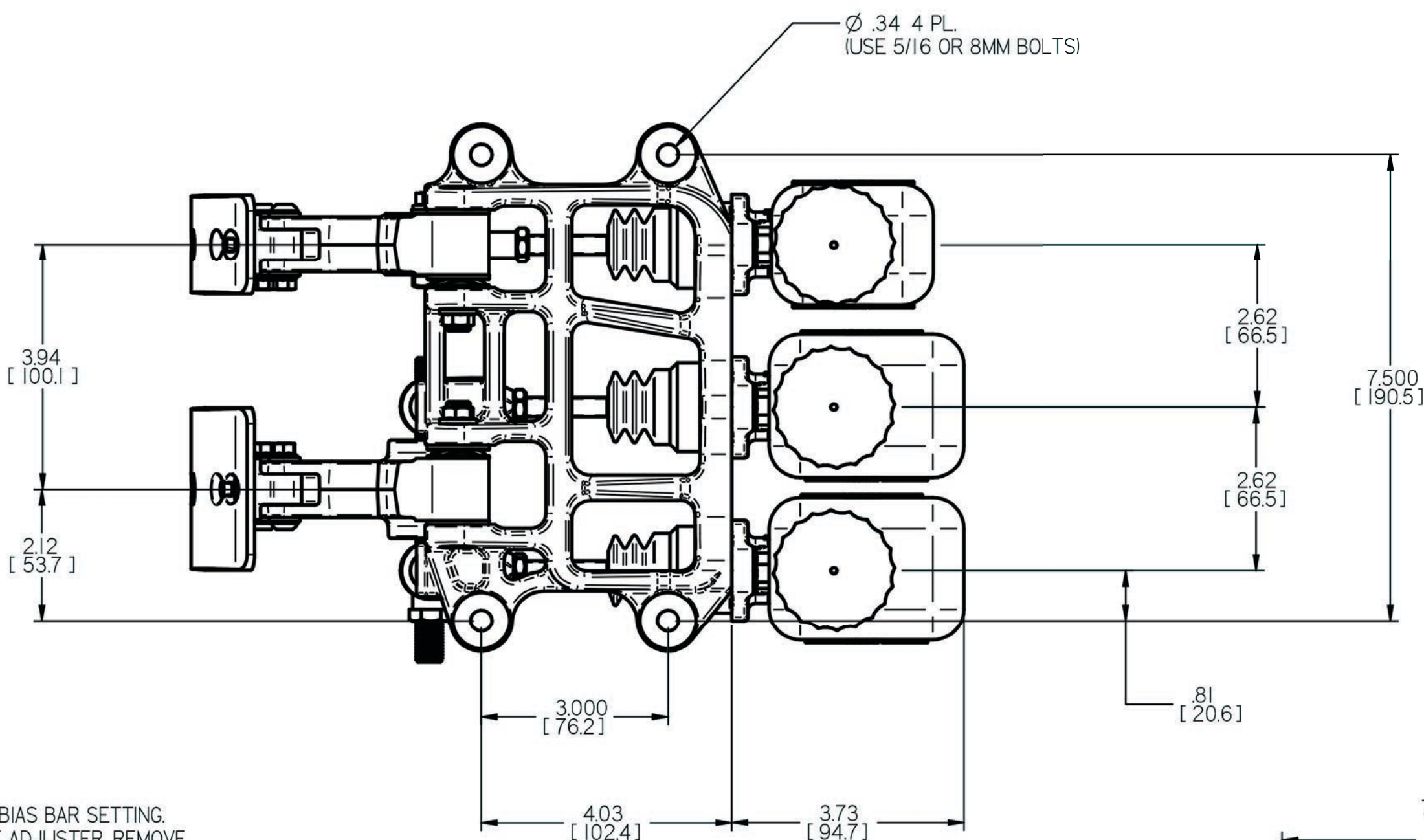
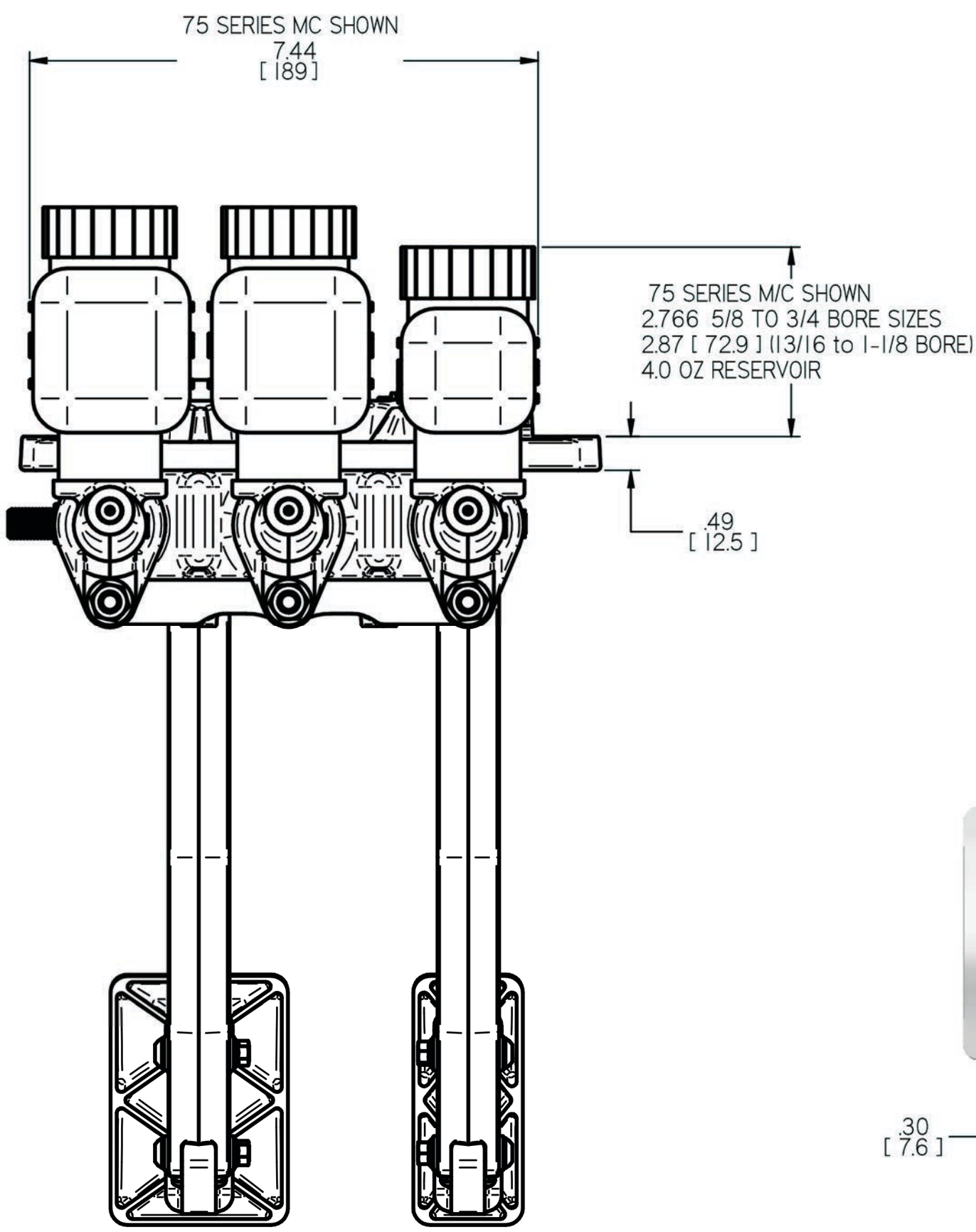
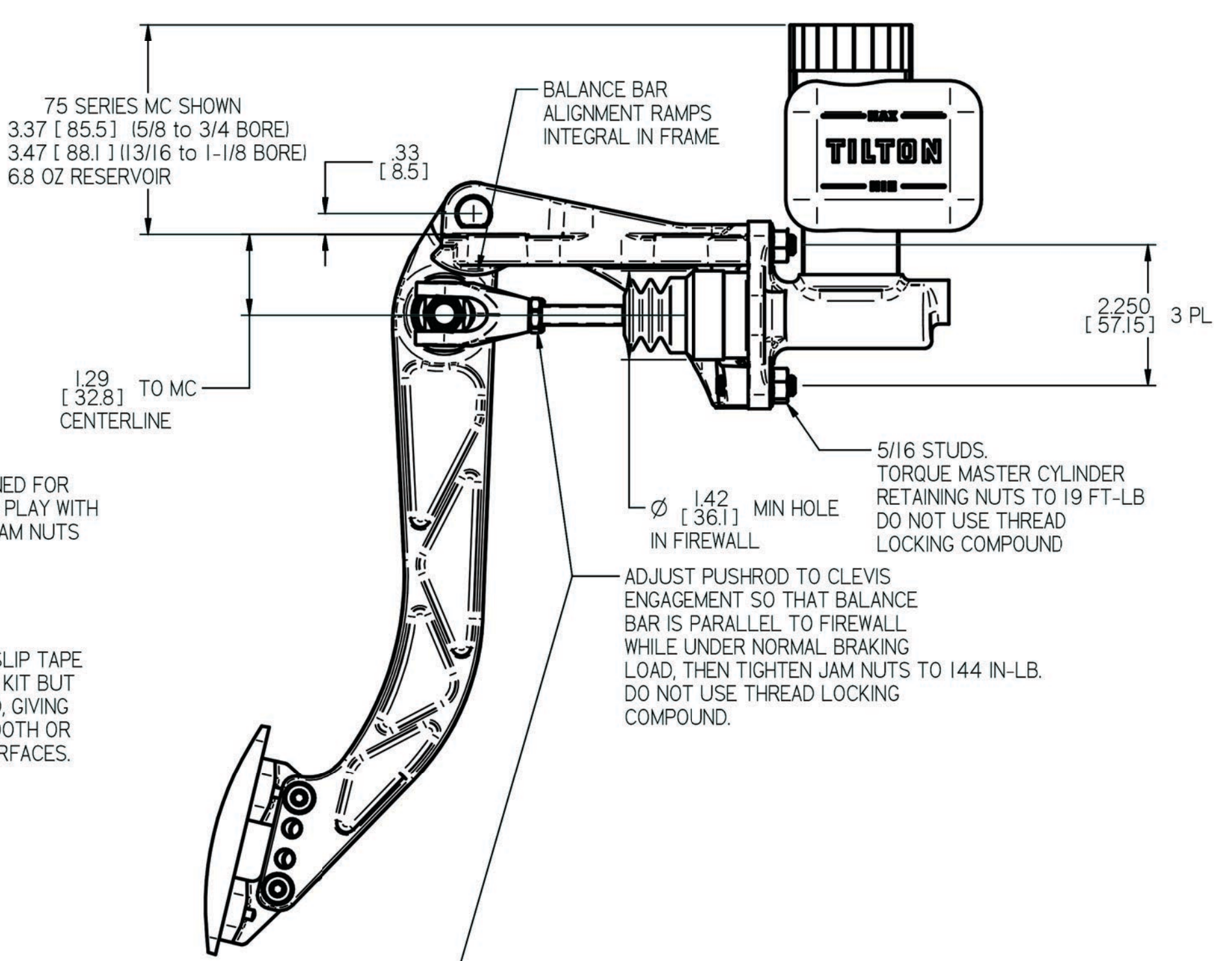
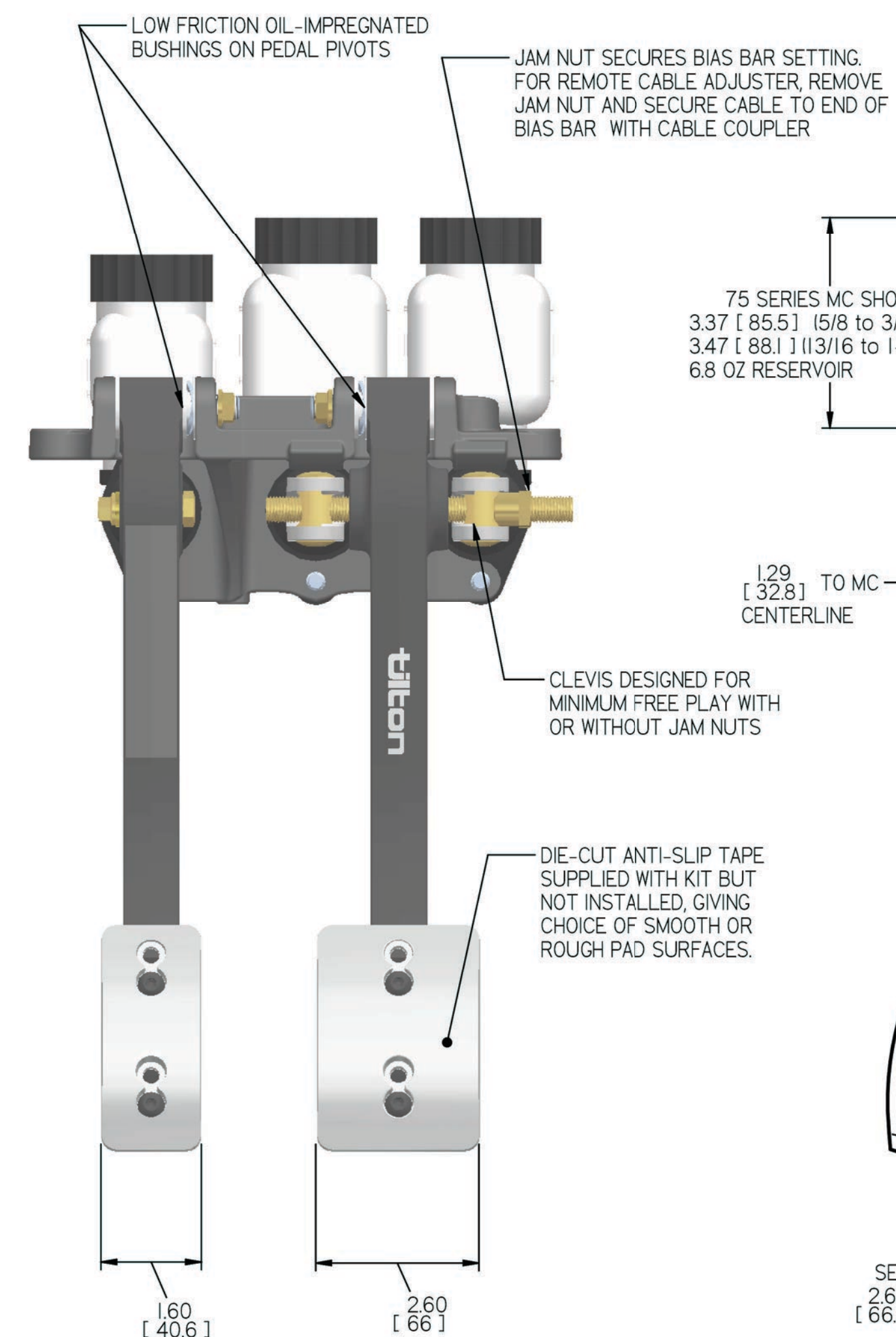


| REV | ECN  | DATE       | BY   | CHANGE OR ADDITION                                      |
|-----|------|------------|------|---|
| NC  | 1050 | 04/08/2012 | WAHL | INITIAL RELEASE   |
| A   | 1102 | 10/04/2013 | LUND | ADDED DUAL DIMENSIONS, CONNECTION BRACKET CLARIFICATION |

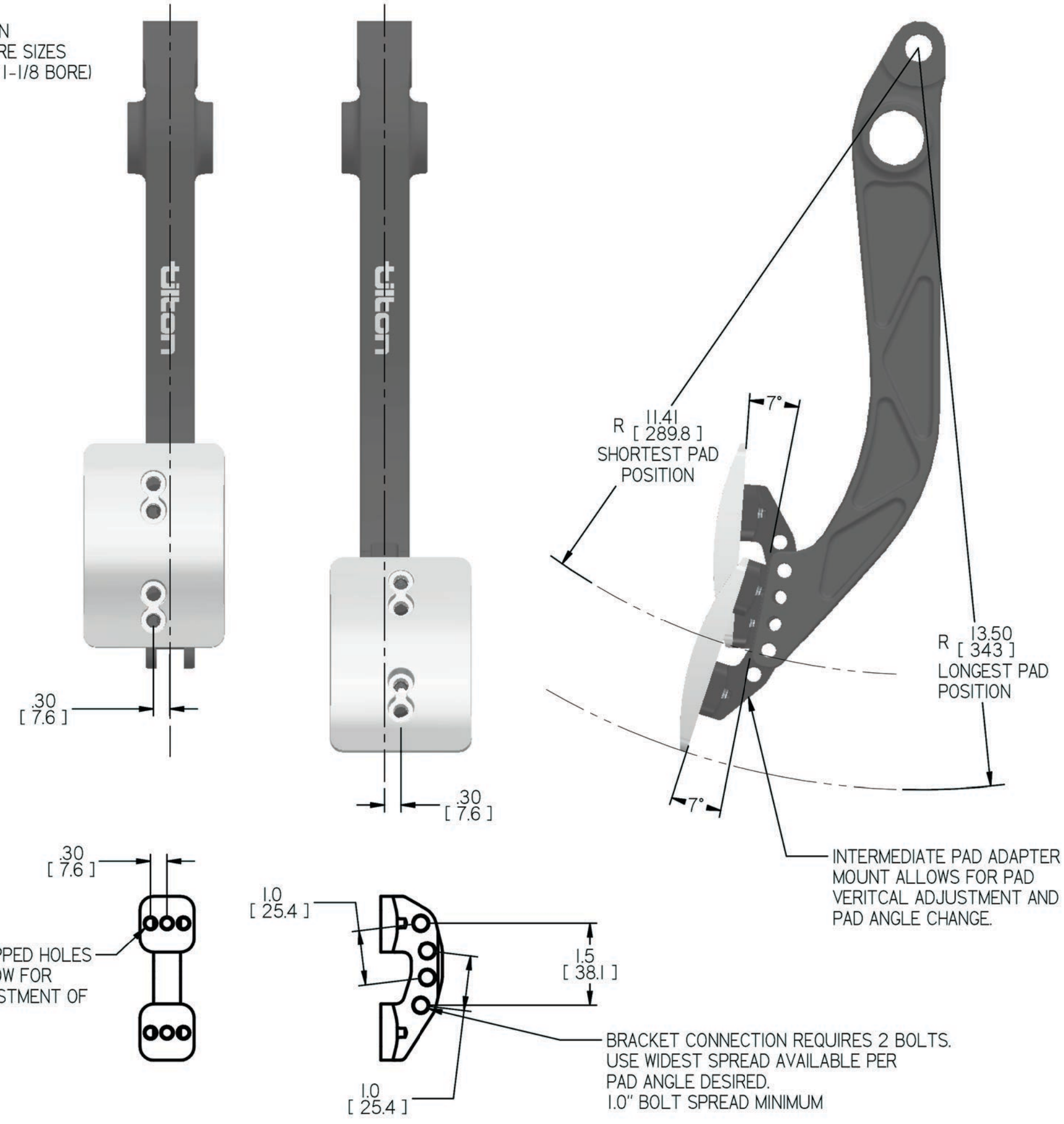


MULTIPLE MOUNT HOLES PROVIDE FOR VERTICAL PAD POSITION ADJUSTMENT. PART MAY BE ROTATED 180° FOR INCREASED ADJUSTMENT RANGE.

C



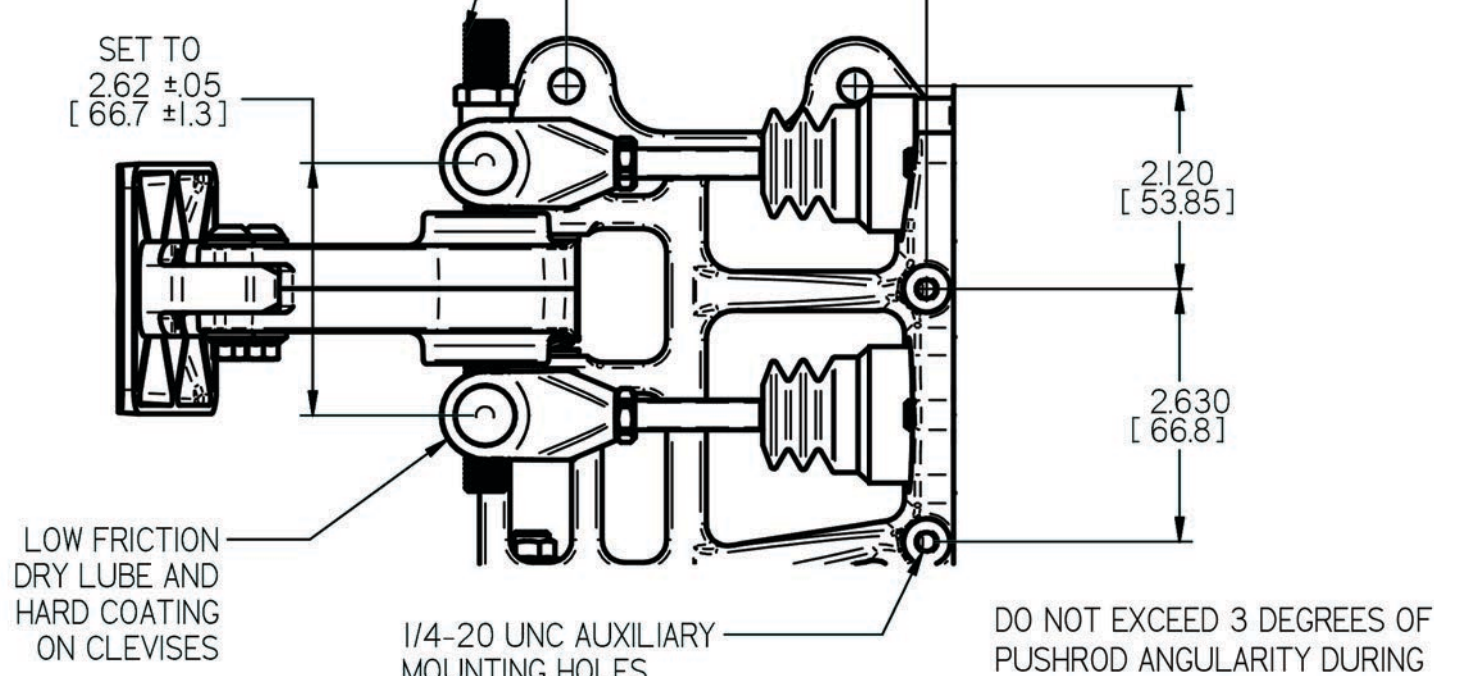
PEDAL RATIO WILL VARY FROM 5.0:1 TO 6.2:1 BASED ON PEDAL PAD POSITION.



THREE SETS OF TAPPED HOLES IN PAD MOUNT ALLOW FOR SIDE-TO-SIDE ADJUSTMENT OF .30" EACH WAY

BRACKET CONNECTION REQUIRES 2 BOLTS. USE WIDEST SPREAD AVAILABLE PER PAD ANGLE DESIRED. 1.0" BOLT SPREAD MINIMUM

- NOTES:
1. DIMENSIONS AND TOLERANCES PER ASME Y14.5 - 2009
  2. UNLESS OTHERWISE SPECIFIED, ALL DIMENSIONS ARE IN INCHES [MM].
  3. DIMENSIONS ARE NOMINAL.



PEDAL ASSEMBLY IS COMPATIBLE WITH TILTON ENGINEERING 73, 74, 75 OR 76 SERIES MASTER CYLINDERS SOLD SEPARATELY  
75 SERIES MASTER CYLINDERS SHOWN HERE ARE FOR ILLUSTRATION PURPOSES ONLY AND ARE NOT INCLUDED WITH PEDAL ASSEMBLY

|  |        |                                   |            |
|--|--------|-----------------------------------|------------|
| TILTON ENGINEERING, INC.   |        | (805) 688-2353 FAX (805) 688-2745 |            |
| 25 EASY STREET P.O. BOX 1787   |        | BUELLTON, CALIFORNIA 93427 USA    |            |
| TITLE: <b>PEDAL ASSEMBLY INSTALLATION DRAWING</b><br>TWO PEDAL, THREE CYLINDER, FIREWALL MOUNT, ALUMINUM |        |                                   |            |
| DRN BY   | EVS    | CHKD                              | WAHL       |
| P/N  | 72-607 | DATE                              | 03/09/2006 |
| SCALE  | 1:2    | DWG                               | 5054       |
| SHEET  | 1 OF 1 | REV                               | A          |

"This document contains proprietary information of TILTON ENGINEERING, INC., and its receipt or possession does not convey the rights to reproduce, disclose its contents, or to manufacture, use or sell anything it may describe. Reproduction, disclosure, or use without specific written authorization of TILTON ENGINEERING, INC. is strictly forbidden."

**TILTON ENGINEERING** INC.